

# Product Installation Sheet

## Marine Laying Patterns

### Contents page

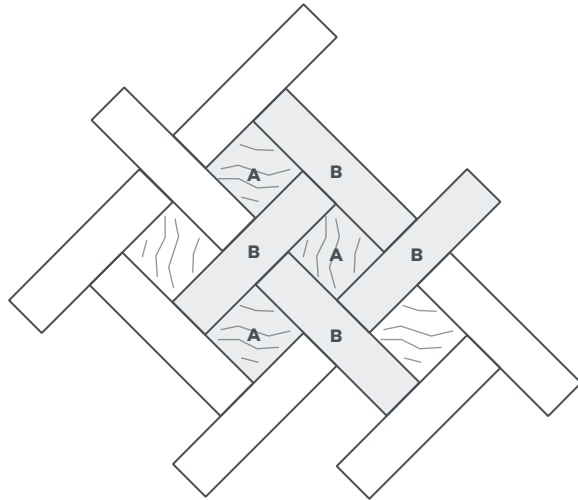
- Basket Weave	2
- Castel Weave	3
- Check	4
- Flagstone	5
- Key Stone	6
- Small Parquet	7
- Large Parquet	8
- Pleat	9
- Polygon Key	10
- Random Stone	11
- Woven	12
- Apollo Motif	13
- Compass Motif	14
- Constellation Motif	15
- Myron Motif	16
- Pavilion Motif	17
- Small Star Motif	18
- Bevel Diamond Border	19
- Etch Border	20
- Offset Stripe Border	21
- Piping Border	22



# Product Installation Sheet

## Marine Laying Pattern

### Basket Weave Laying Pattern - 1 Colour



#### MP002

A, B, Honey Oak - AM5W2504

#### MP003

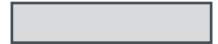
A, B, Warm Chery - AM5W2506

# Basket Weave

114.3mm x 114.3mm Tile



76.2mm x 304.8mm Plank



#### 1 module 1 colour =

A 114.3mm x 114.3mm Tile

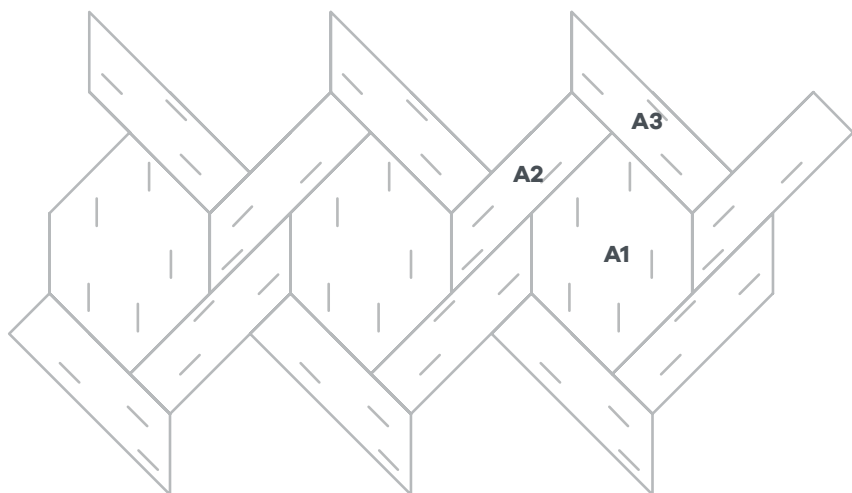
B 76.2mm x 304.8mm Plank

# Product Installation Sheet

## Marine Laying Pattern

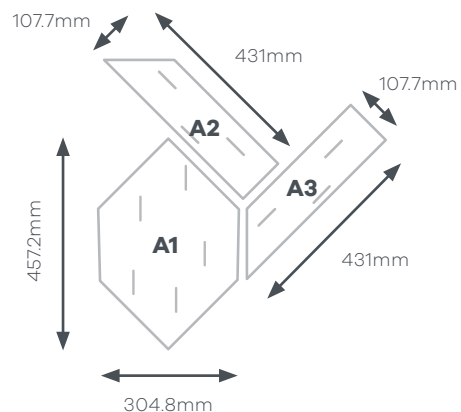
# Castel Weave

### Castel Weave Laying Pattern - 1 Colour



**MP001**

**A1, A2, A3**, Sash Oak - AM5W3032



#### **1 module =**

**A1** Polygon Tile (1 off)

**A2** Angle Cut Tile (1 off)

**A3** Angle Cut Tile (1 off)

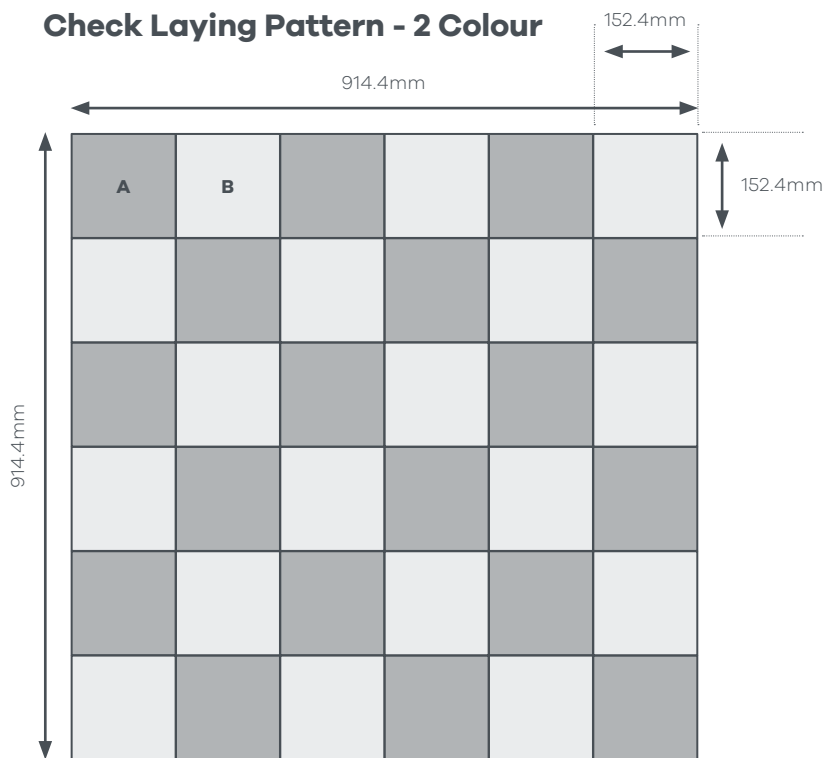
Supplied as a set of loose tile parts, the layout is to be formed on site using this tile set.

# Product Installation Sheet

## Marine Laying Pattern

# Check

### Check Laying Pattern - 2 Colour



#### MP027

A Ceramic Frost - AM5S1591

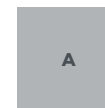
B Ceramic Coal - AM5S4422

#### MP028

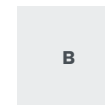
A Plaza Concrete - AM5S3070

B Ceramic Frost - AM5S1591

152.4mm x 152.4mm Tile



152.4mm x 152.4mm Tile



#### 1 module 2 colour =

A 1152.4mm x 152.4mm Tile (1 off)

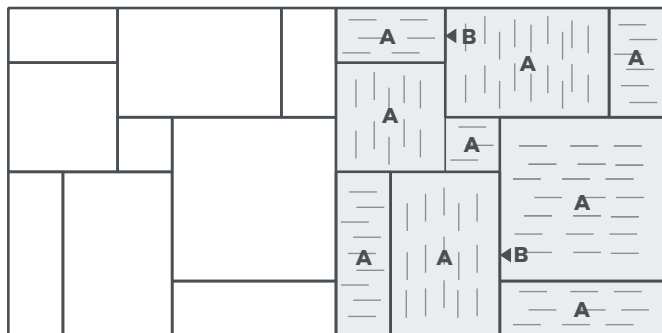
B 152.4mm x 152.4mm Tile (1 off)

# Product Installation Sheet

## Marine Laying Pattern

# Flagstone

### Flagstone Laying Pattern - 1 Colour with Stripping



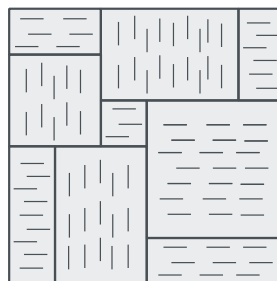
#### MP018

A Plaza Concrete - AM5S3070  
 B Satin Weave (Stripping) - AM5A3805

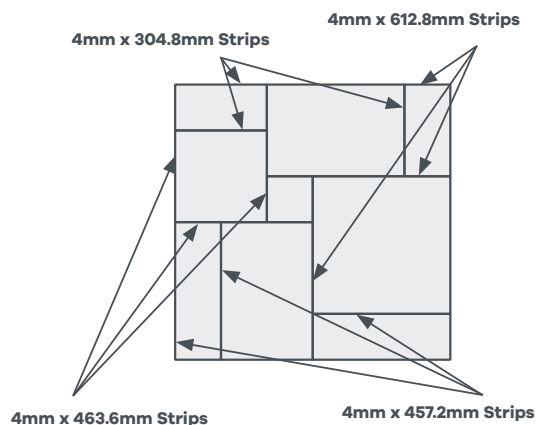
#### 1 module =

- A 152.4mm x 152.4mm Tile Straight Grain (1 off)
- A 152.4mm x 304.8mm Tile Straight Grain (1 off)
- A 152.4mm x 304.8mm Tile Cross Grain (1 off)
- A 304.8mm x 304.8mm Tile Straight Grain (1 off)
- A 152.4mm x 457.2mm Tile Cross Grain (1 off)
- A 152.4mm x 457.2mm Tile Straight Grain (1 off)
- A 304.8mm x 457.2mm Tile Cross Grain (1 off)
- A 304.8mm x 457.2mm Tile Straight Grain (1 off)
- A 457.2mm x 457.2mm Tile Cross Grain (1 off)










#### 1 module (For directional product only) (1 off each) =



#### 1 module Stripping (1 off each) =



#### 1 module Small (1 off each) =

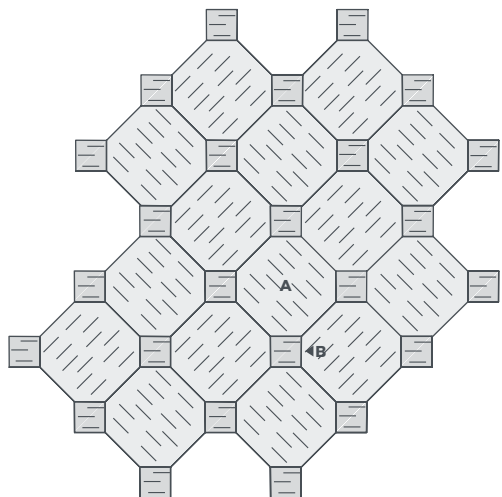
- 152.4mm x 152.4mm Tile Straight Grain 
- 152.4mm x 304.8mm Tile Straight Grain 
- 152.4mm x 304.8mm Tile Cross Grain 
- 304.8mm x 304.8mm Tile Straight Grain 
- 152.4mm x 457.2mm Tile Cross Grain 
- 152.4mm x 457.2mm Tile Straight Grain 
- 304.8mm x 457.2mm Tile Cross Grain 
- 304.8mm x 457.2mm Tile Straight Grain 
- 457.2mm x 457.2mm Tile Cross Grain 

# Product Installation Sheet

## Marine Laying Pattern

# Key Stone

### Mini Key Stone Laying Pattern - 2 Colour



#### MP022

- A Crema Travertine - AM5S1589
- B Ceramic Coal (Key) - AM5S4422

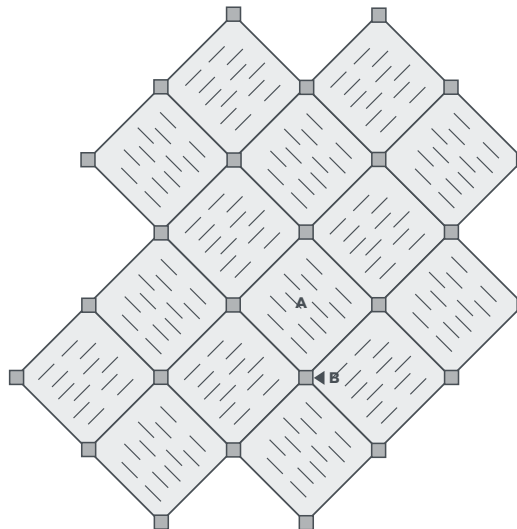
#### MP023

- A Ceramic Frost - AM5S1591
- B Ceramic Coal (Key) - AM5S4422

#### MP024

- A Ceramic Ecu - AM5S3592
- B Linen Weave (Key) - AM5A3800

### Small Key Stone Laying Pattern - 2 Colour



#### MP025

- A Ceramic Ecu - AM5S3592
- B Linen Weave (Key) - AM5A3800

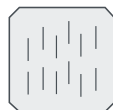
#### MP026

- A Plaza Concrete - AM5S3070
- B Linen Weave (Key) - AM5A3800

#### 1 module Mini 2 colour =

- A 152.4mm x 152.4mm 4 Clip Corner Tile (1 off)
- B 50.8mm x 50.8mm Key Square Tile (1 off)

A 152.4mm x 152.4mm 4 Clip Corner Tile



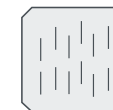
B 50.8mm x 50.8mm Key Square Tile



#### 1 module Small 2 colour =

- A 304.8mm x 304.8mm 4 Clip Corner Tile (1 off)
- B 50.8mm x 50.8mm Key Square Tile (1 off)

A 304.8mm x 304.8mm 4 Clip Corner Tile



B 50.8mm x 50.8mm Key Square Tile



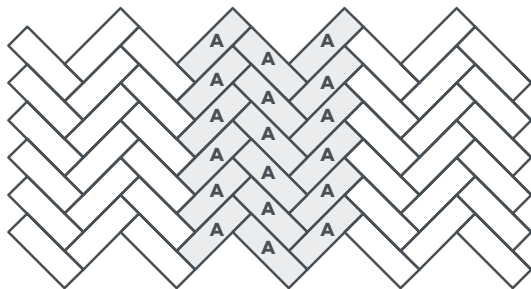
# Product Installation Sheet

## Marine Laying Pattern

# Small Parquet

### Small Parquet Laying Pattern - 1 Colour

76.2mm x 228.6mm Tile



#### MP006

A Warm Teak - AM5W2517

#### MP007

A Traditional Oak - AM5W2514

#### MP008

A Honey Oak - AM5W2504

#### MP009

A Coastal Pine - AM5W3029

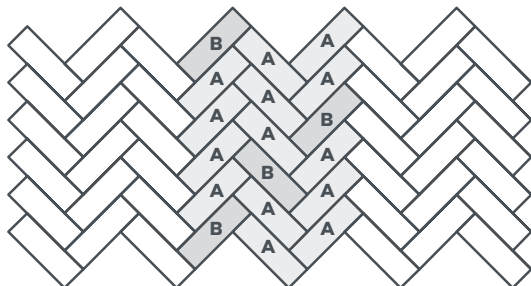
#### MP010

A Black Walnut - AM5W2534

#### 1 module 1 colour =

A 76.2mm x 228.6mm

### Small Parquet Laying Pattern - 2 Colour



#### MP011

A Nordic Oak - AM5W2550

B White Ash - AM5W2540

#### MP012

A White Ash - AM5W2540

B Nordic Oak - AM5W2550

#### 1 module 2 colour =

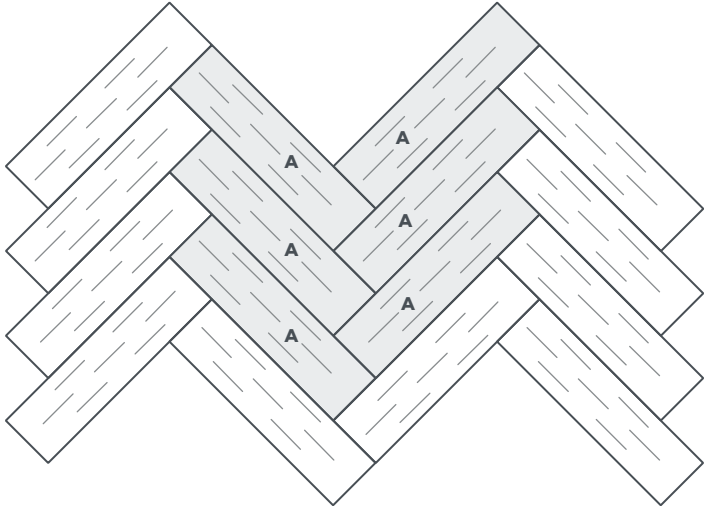
A 76.2mm x 228.6mm (4 off)

B 76.2mm x 228.6mm (1 off)

# Product Installation Sheet

## Marine Laying Pattern

### Large Parquet Laying Pattern - 1 Colour



**1 module 1 colour =**  
A 114mm x 457mm Tile (1 off)

#### MP004

A Royal Oak - AM5W2530

#### MP005

A Sun Bleached Oak - AM5W2531

# Large Parquet

114mm x 457mm Tile



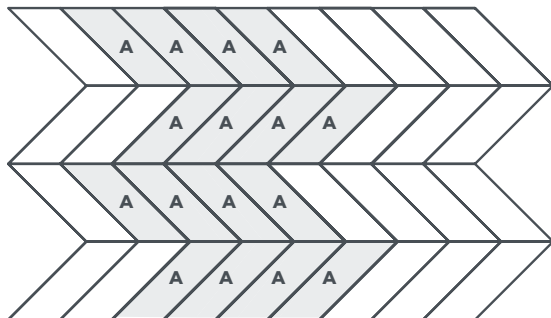


# Product Installation Sheet

## Marine Laying Pattern

# Pleat

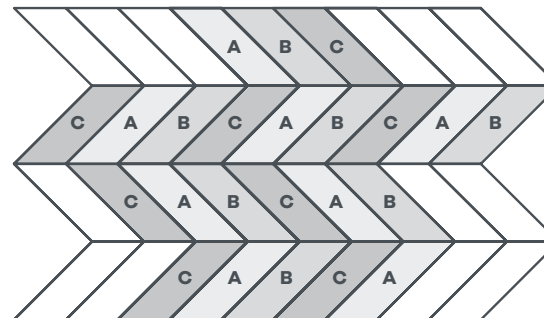
### Pleat Laying Pattern - 1 Colour



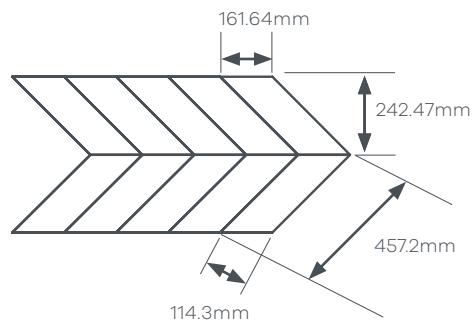
**MP014**  
A Nordic Oak - AM5W2550

**MP015**  
A Estuary Pine - AM5W3028

### Pleat Laying Pattern - 3 Colour



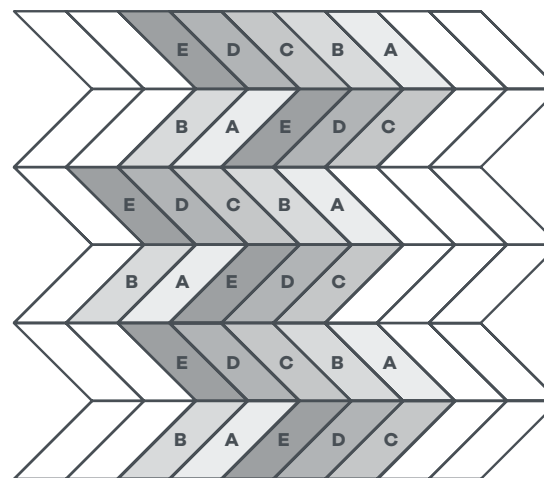
**MP016**  
A Satin Weave - AM5A3805  
B Ceramic Frost - AM5S1591  
C Plaza Concrete - AM5S3070



**MP017**



### Pleat Laying Pattern - 5 Colour



**MP017**  
A White Ash - AM5W2540  
B Dusky Walnut - AM5W2542  
C Nordic Oak - AM5W2550  
D Sash Oak - AM5W3032  
E Sun Bleached Oak - AM5W2531

### 1 and 3 module =

Equal amounts of each left/right  
114.3mm x 457.2mm (13 off each 1m<sup>2</sup> box)

### 5 module =

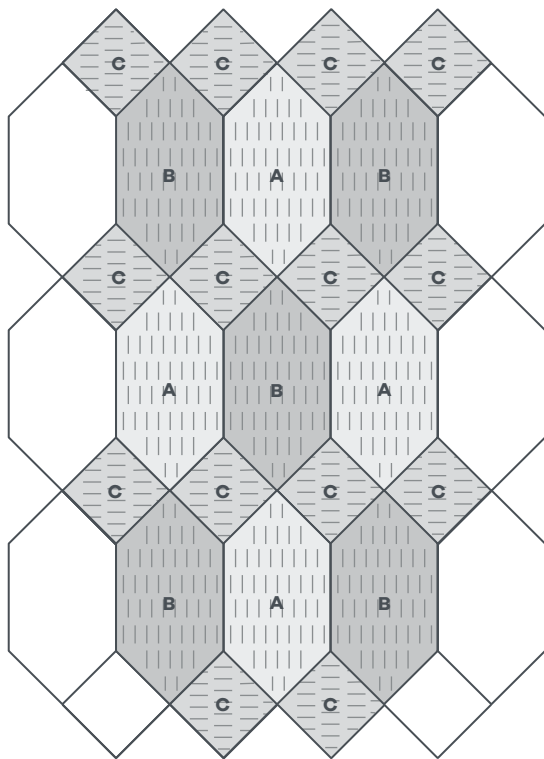
A, B, C, D, E, 114.3mm x 457.2mm right (1 off)  
A, B, C, D, E, 114.3mm x 457.2mm left (1 off)

**amtico**  
flooring

# Product Installation Sheet

## Marine Laying Pattern

### Polygon Key Laying Pattern - 3 Colour



#### MP019

- A Ceramic Frost - AM5S1591
- B Ceramic Ecu- AM5S3592
- C Plaza Concrete - AM5S3070

#### MP020

- A Plaza Concrete - AM5S3070
- B Ceramic Flint - AM5S2594
- C Ceramic Coal - AM5S4422

#### 1 module 3 colour =

- A 863.6mm x 431.8mm Tile (1 off)
- A 304.8mm x 304.8mm Tile (1 off)
- B 863.6mm x 431.8mm Tile (2 off)

# Polygon Key

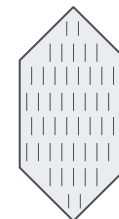
863.6mm x 431.8mm Tile



304.8mm x 304.8mm Tile



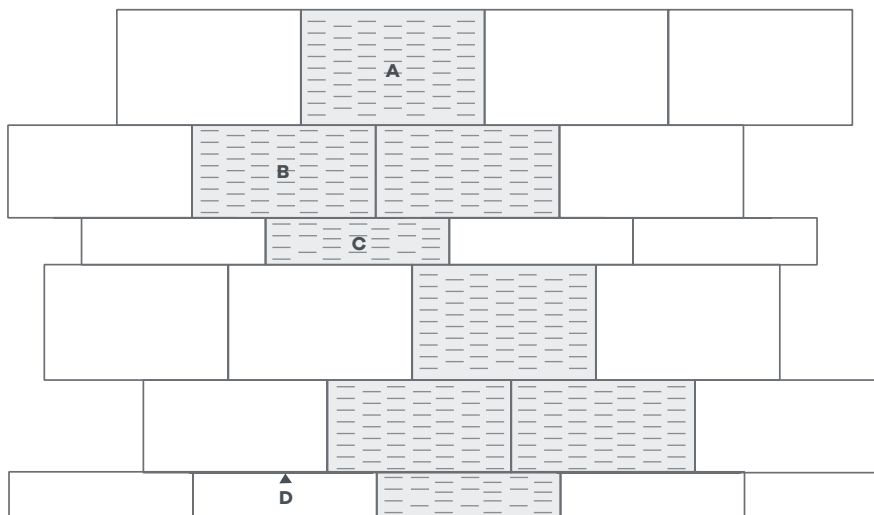
863.6mm x 431.8mm Tile



Product Installation Sheet  
**Marine Laying Pattern**

# Random Stone

**Random Stone Laying Pattern - 1 Colour with Stripping**



**MP021**

**A, B, C,** Ceramic Flint - AM5S2594

**D** Ceramic Ecru Stripping - AM5S3592

**1 module =**

**A** 304.8mm x 457.2mm Tile (1 off)

**B** 228.6mm x 457.2mm Tile (1 off)

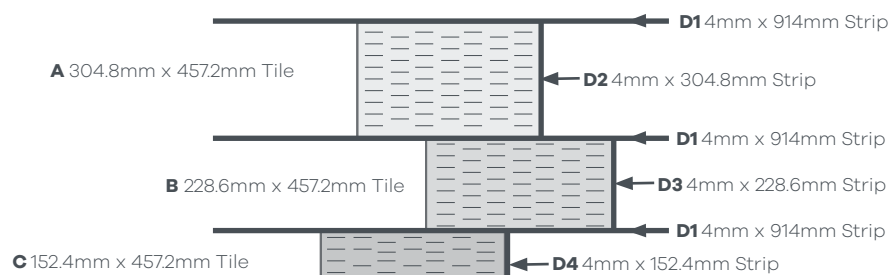
**C** 152.4mm x 457.2mm Tile (1 off)

**D1** 4mm x 914mm Strip (1.5 off)

**D2** 4mm x 304.8mm Strip (1 off)

**D3** 4mm x 228.6mm Strip (1 off)

**D4** 4mm x 152.4mm Strip (1 off)

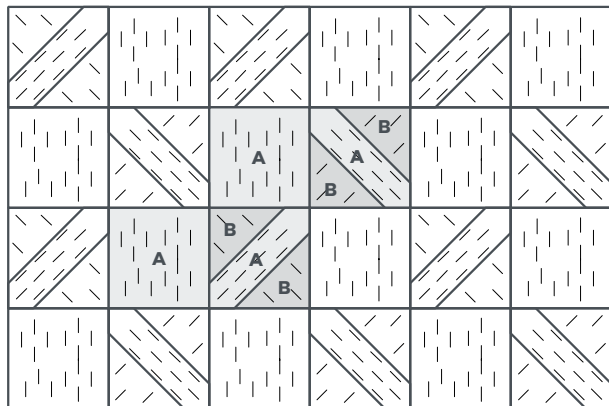


# Product Installation Sheet

## Marine Laying Pattern

# Woven

### Woven Laying Pattern - 2 Colour

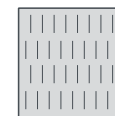


#### MP013

A Ceramic Coal - AM5S4422

B Ceramic Frost - AM5S1591

228.6mm x 228.6mm Tile



323mm x 107mm Elongon Tile



152.1mm x 152.1mm Triangular Tile



#### 1 module 2 colour =

A 228.6mm x 228.6mm Tile (1 off)

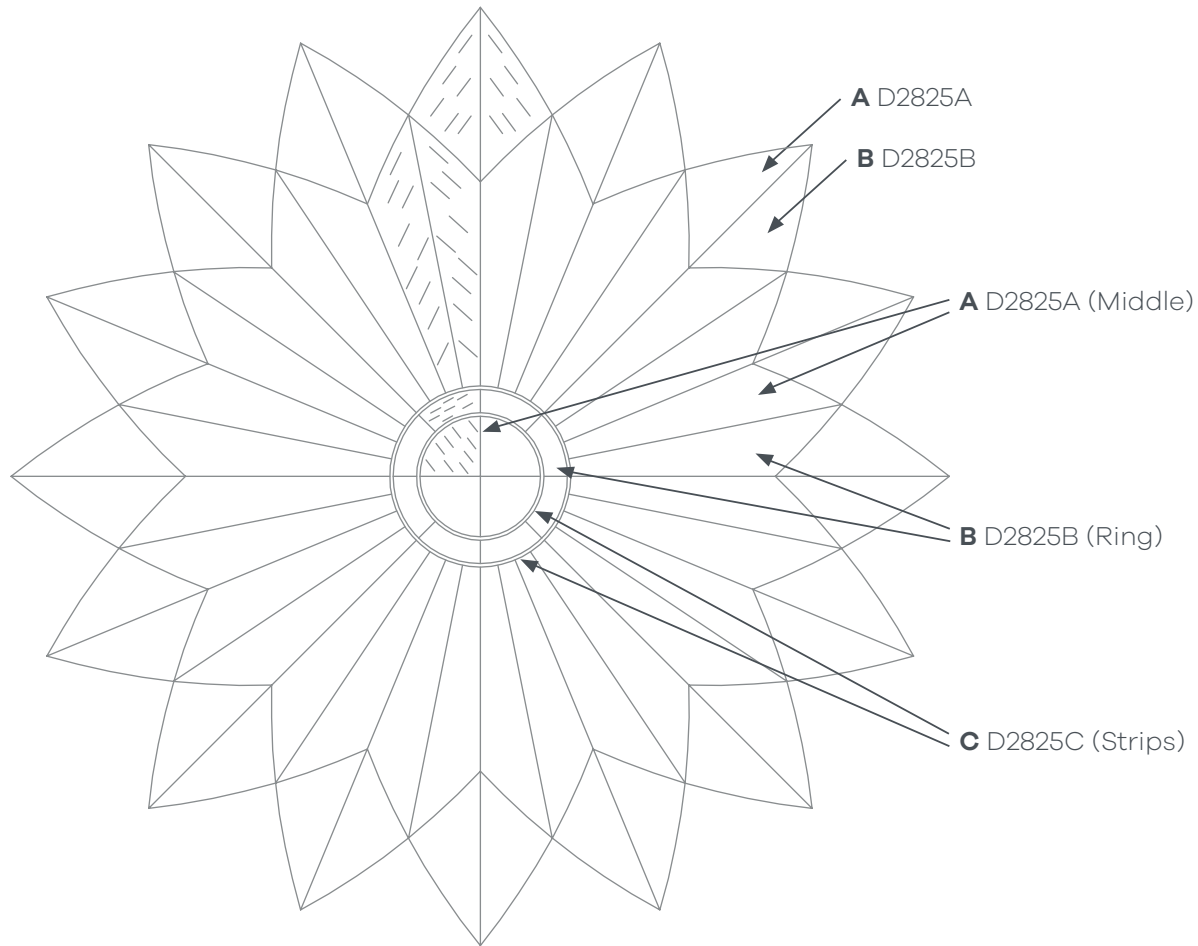
A 323mm x 107mm Elongon Tile (1 off)

B 152.1mm x 152.1mm Triangular Tile (2 off)

Product Installation Sheet  
**Marine Laying Pattern**

# Apollo Motif

**AM5MC230A Apollo Motif 35" (889mm)**



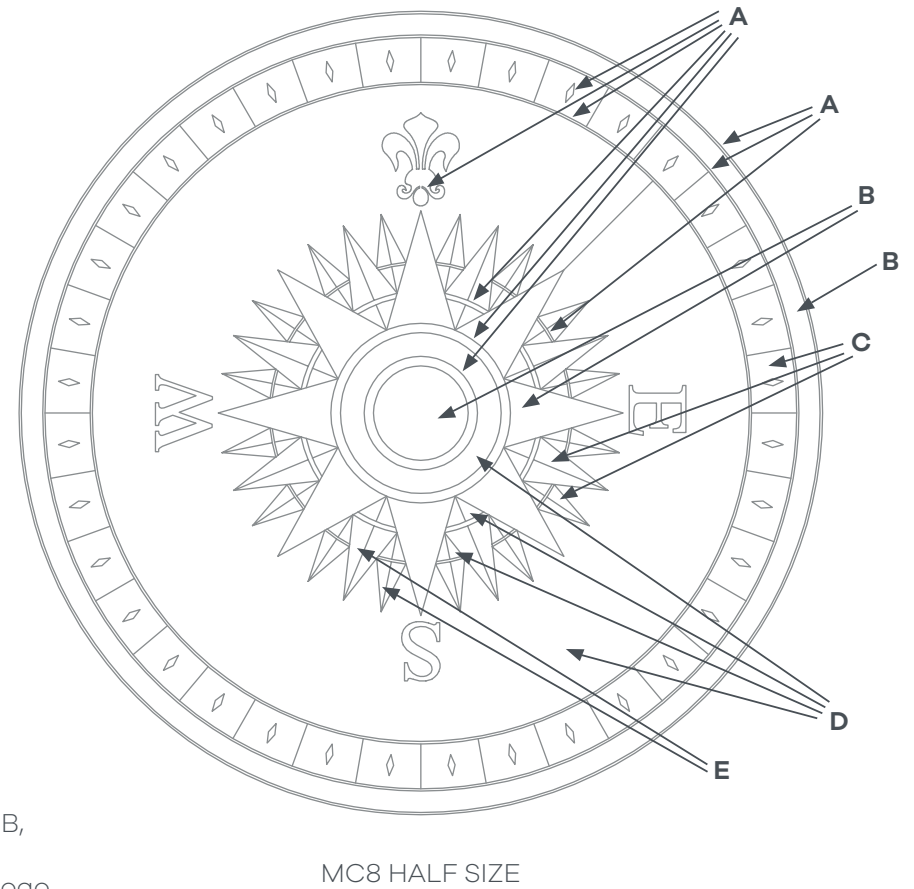
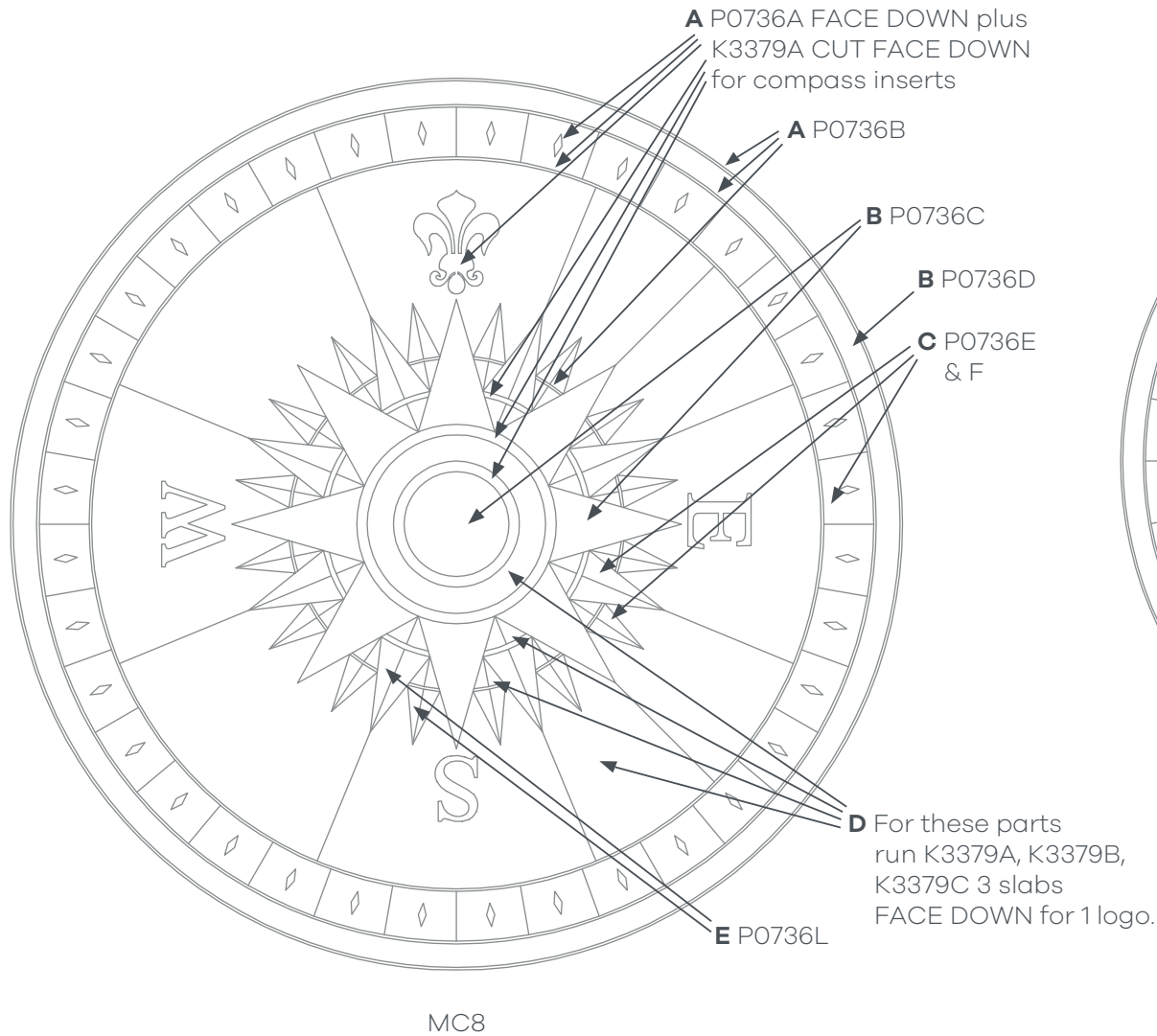
MC23

Product Installation Sheet  
**Marine Laying Pattern**

# Compass Motif

**AM5MC801A Compass Motif Full Size 67" (1700mm)**

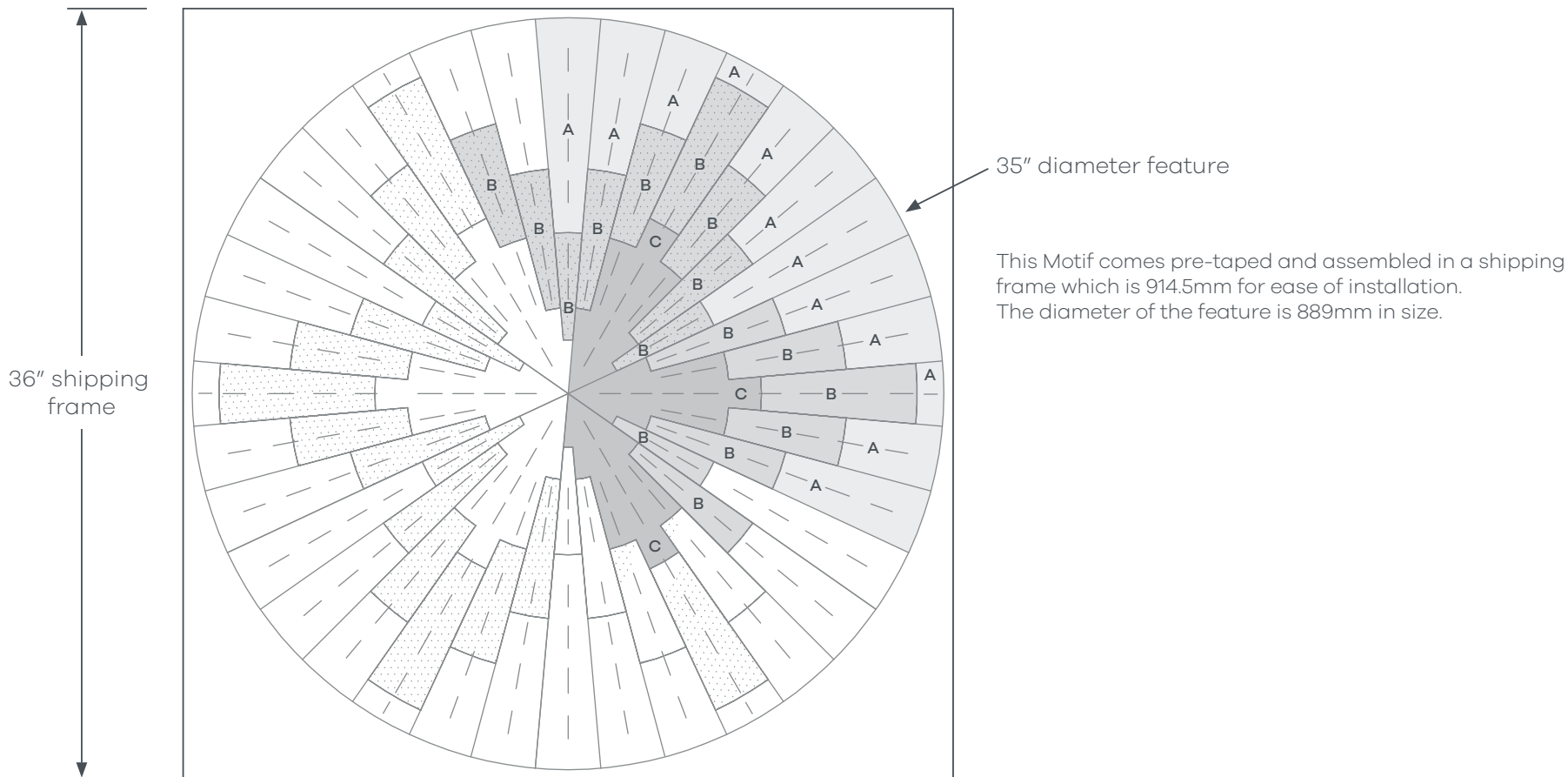
**AM5MC802A Compass Motif Half Size 33.5" (850mm)**



Product Installation Sheet  
**Marine Laying Pattern**

# Constellation Motif

**AM5MC210A Constellation Motif 35" (889mm)**



# Product Installation Sheet

## Marine Laying Pattern

# Myron Motif

### AM5MC160A Myron Motif 36" (914.4mm)

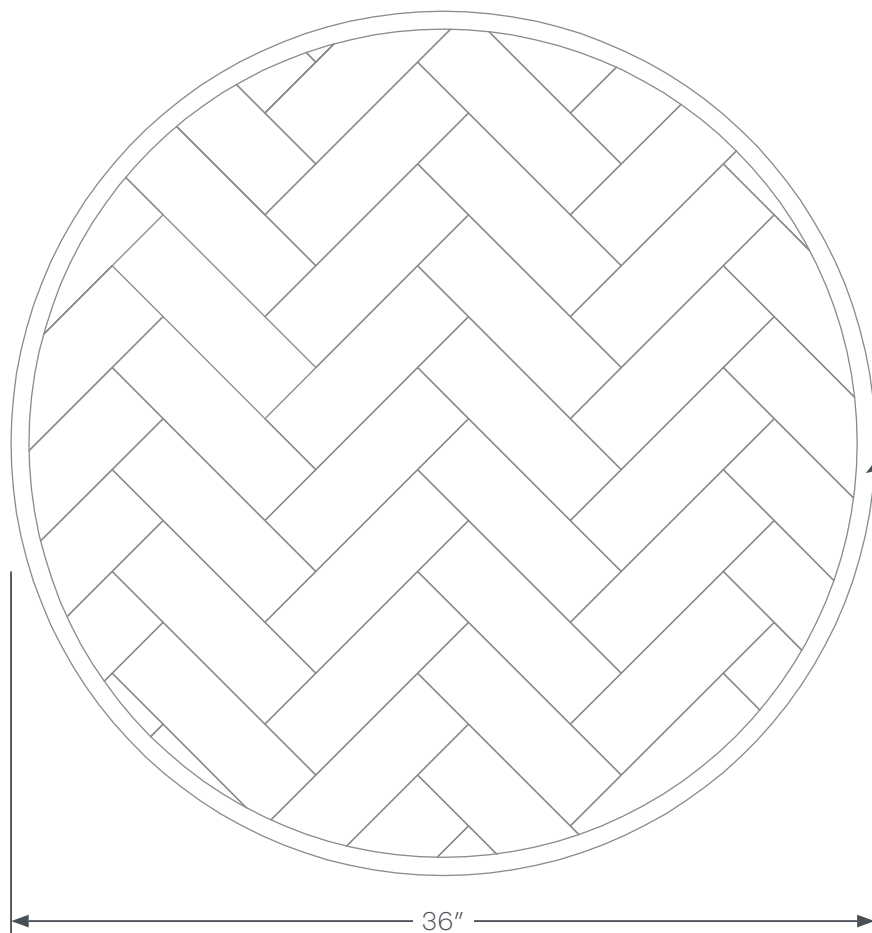


**A** 76mm pre-cut block set against the curved strip



**A** 76mm x 229mm full blocks 21 off

(Bevelled on all straight edges only, unbevelled on outer curve)



This Motif comes pre-taped and assembled which is 914.4mm for ease of installation.

Outer ring/frame only for different product 'B' if required. This is unbevelled for transport only and can be removed on site or fitted if desired.

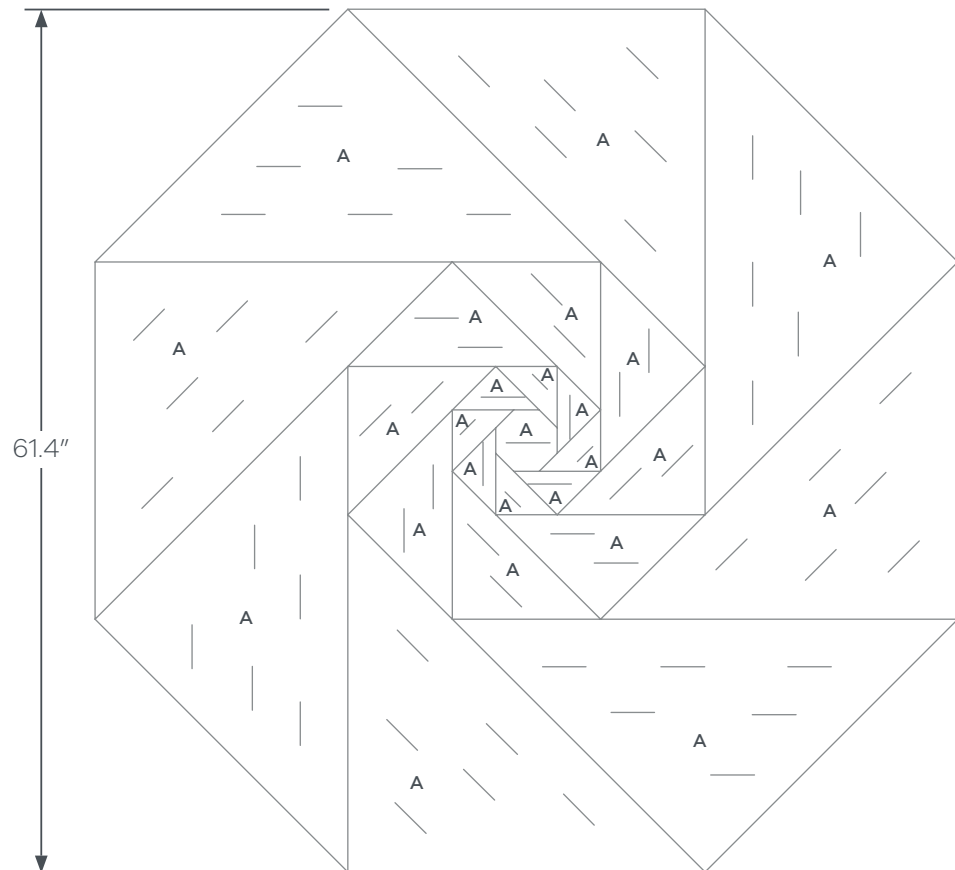
**B** 19.05mm



Product Installation Sheet  
**Marine Laying Pattern**

# Pavilion Motif

**AM5MC9501A Pavilion Motif 61.5" (1562.1mm)**

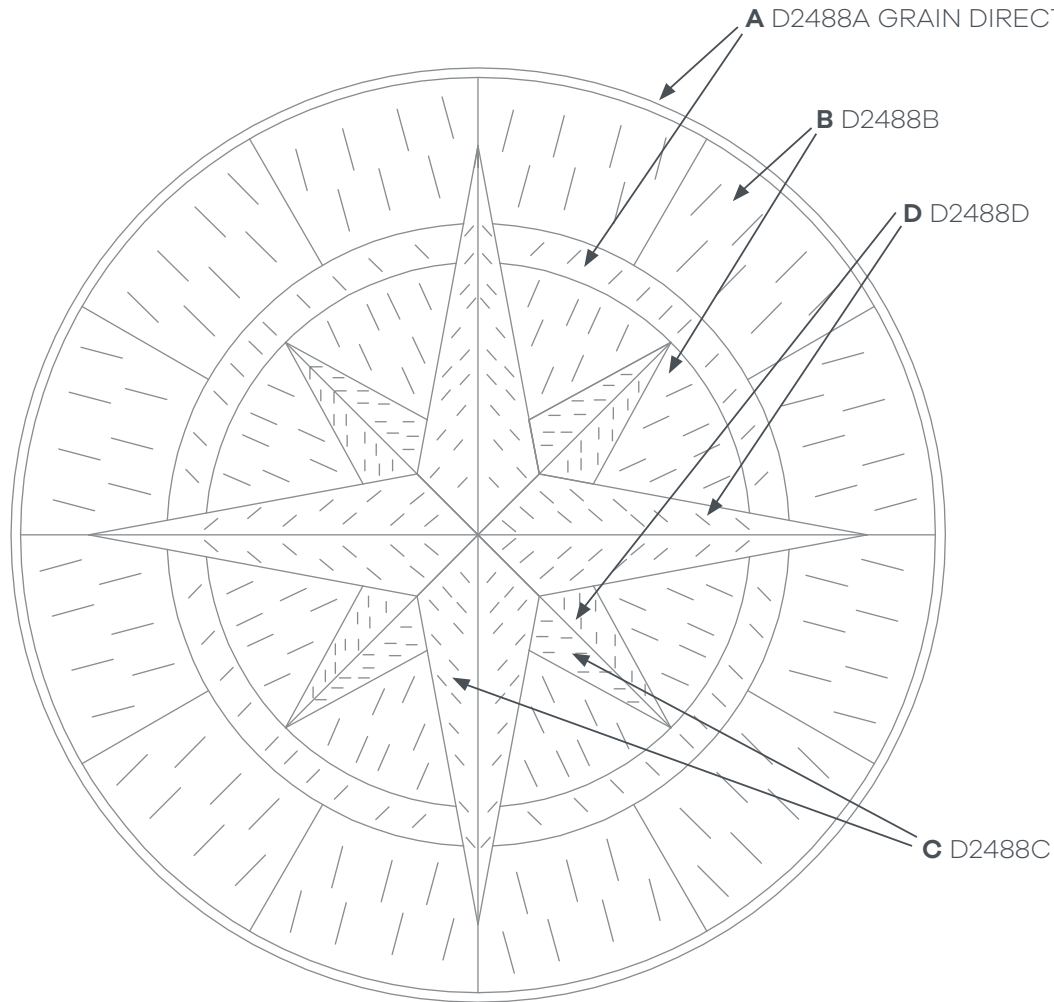


**A** D2388E

Product Installation Sheet  
**Marine Laying Pattern**

# Small Star Motif

**AM5MC300A Small Star Motif 24" (609.6mm)**



All parts have been positioned on the beds to be correct for "Standard" slabs. Rotate all "Cross Grain as Standard" slabs before cutting.

JIG/BACKGROUND D2488A

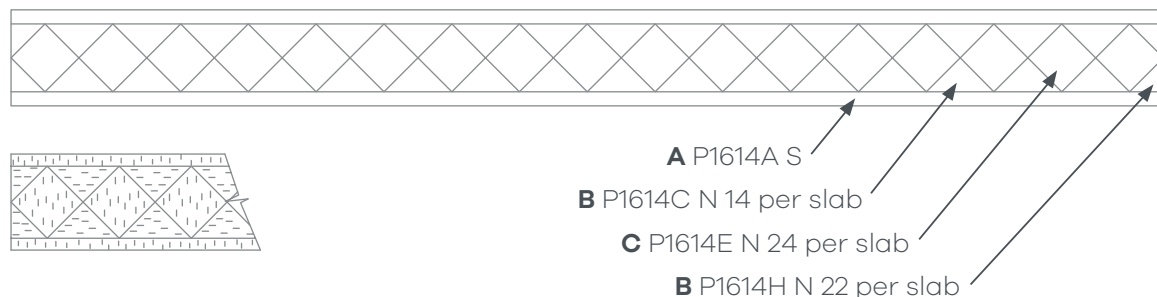
MC3

Product Installation Sheet  
**Marine Laying Pattern**

# Bevel Diamond Border

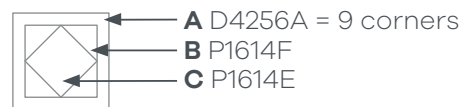
## Bevel Diamond Border AM5B270BA

3" x 36" (76mm x 915mm)

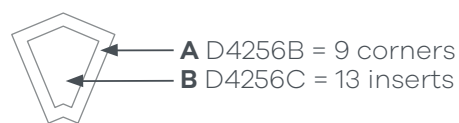


**N** Normal slab position  
**S** Side flashing position (Rotate 90°)  
 All corners to be visually checked for a size match with the border width on the same order.  
 2019 corners are 1.5mm oversize to help achieve a size match with assembled B27B borders.

## Bevel Diamond Corner 90° AM5C27SBA



## Bevel Diamond Corner 45° AM5C27ABA



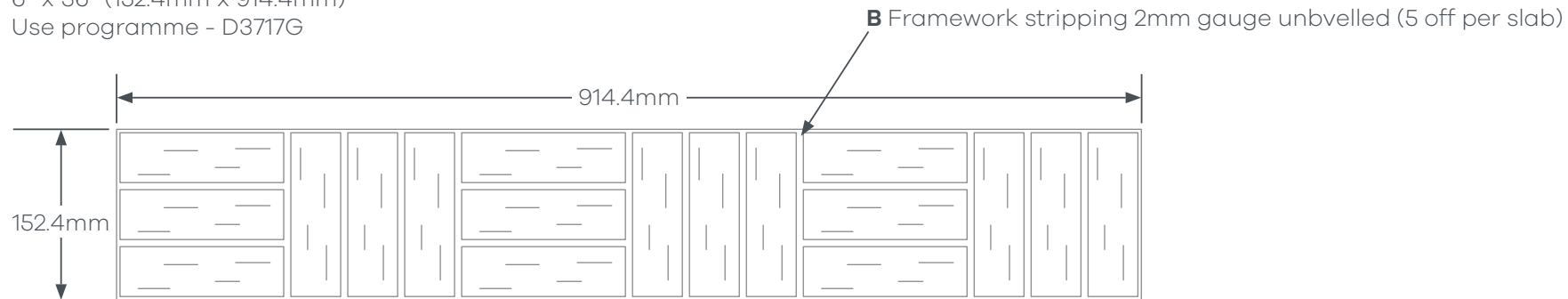
# Product Installation Sheet

## Marine Laying Pattern

# Etch Border

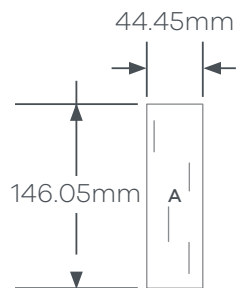
### Etch Border AM5B8060A

6" x 36" (152.4mm x 914.4mm)  
Use programme - D3717G

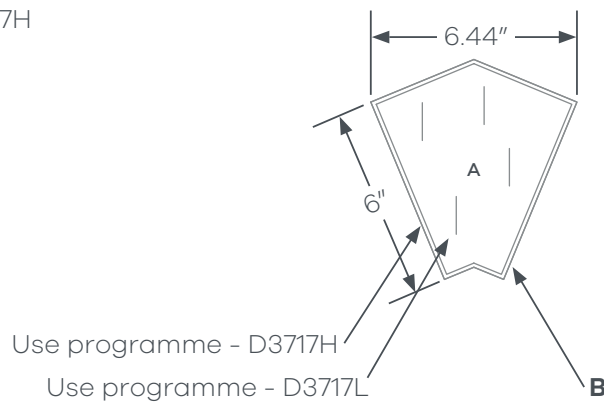


### Etch Border AM5B8060A

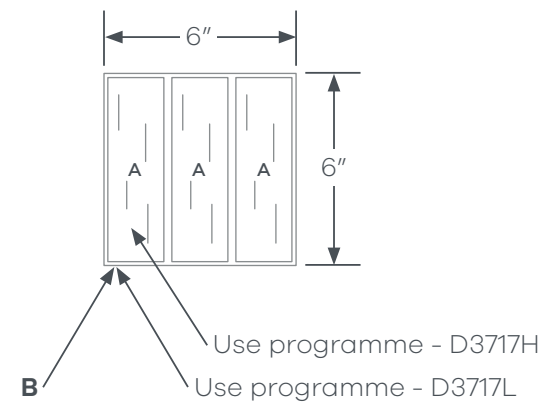
Use programme - D3717H



### Angled Corners AM5B8060AA



### Square Corners AM5B8060SA

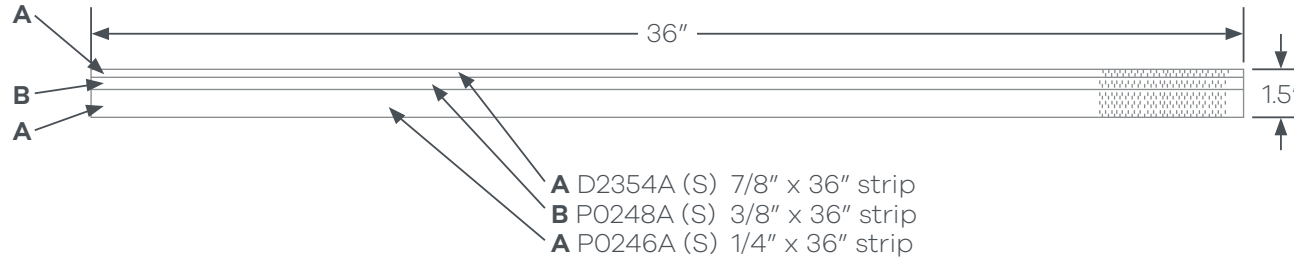


Product Installation Sheet  
**Marine Laying Pattern**

# Offset Stripe Border

## Offset Stripe Border AM5B7000A

1.5" x 36" (38.1mm x 914.4mm)



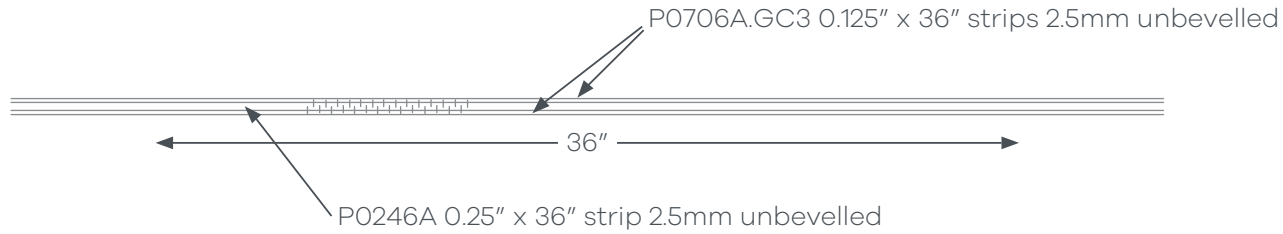
**N** Normal slab position  
**S** Side flashing position (Rotate 90°)  
All strips to be X-Grain  
Rotate slabs on table for X-Grain

Product Installation Sheet  
**Marine Laying Pattern**

# Piping Border

**Piping Border AM5B6400A**

0.5" x 36" (12.7mm x 914.4mm)



All strips to be X-Grain when ordered  
as E5, E6, E7 or E8 Essentials range